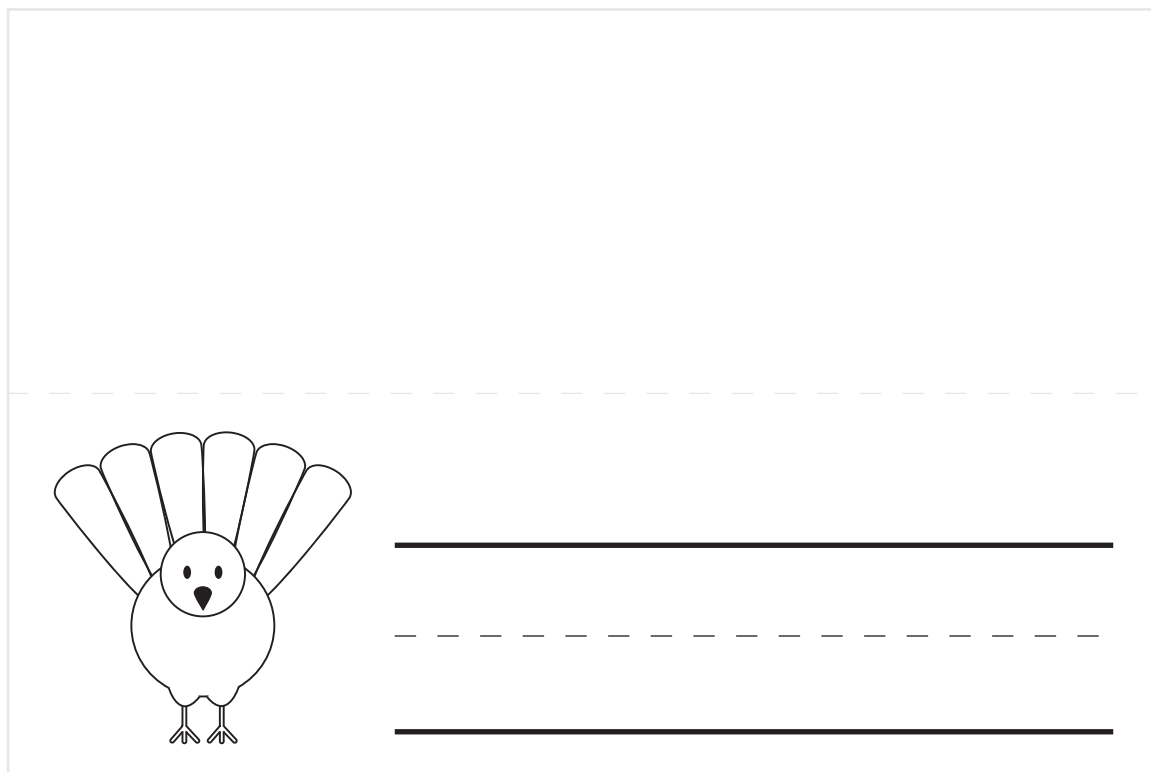
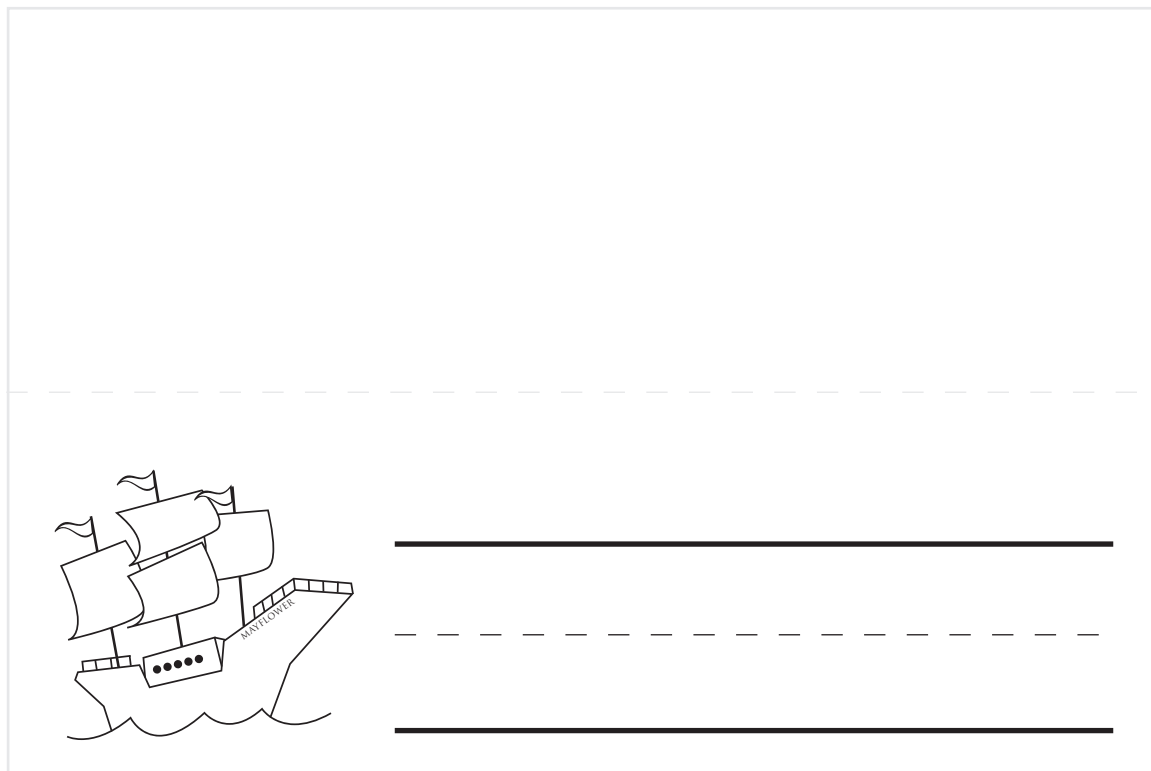


Color Me Thankful Placecards

INSTRUCTIONS: Print and cut along the solid gray lines. Fold on the dotted line to create a placecard tent.

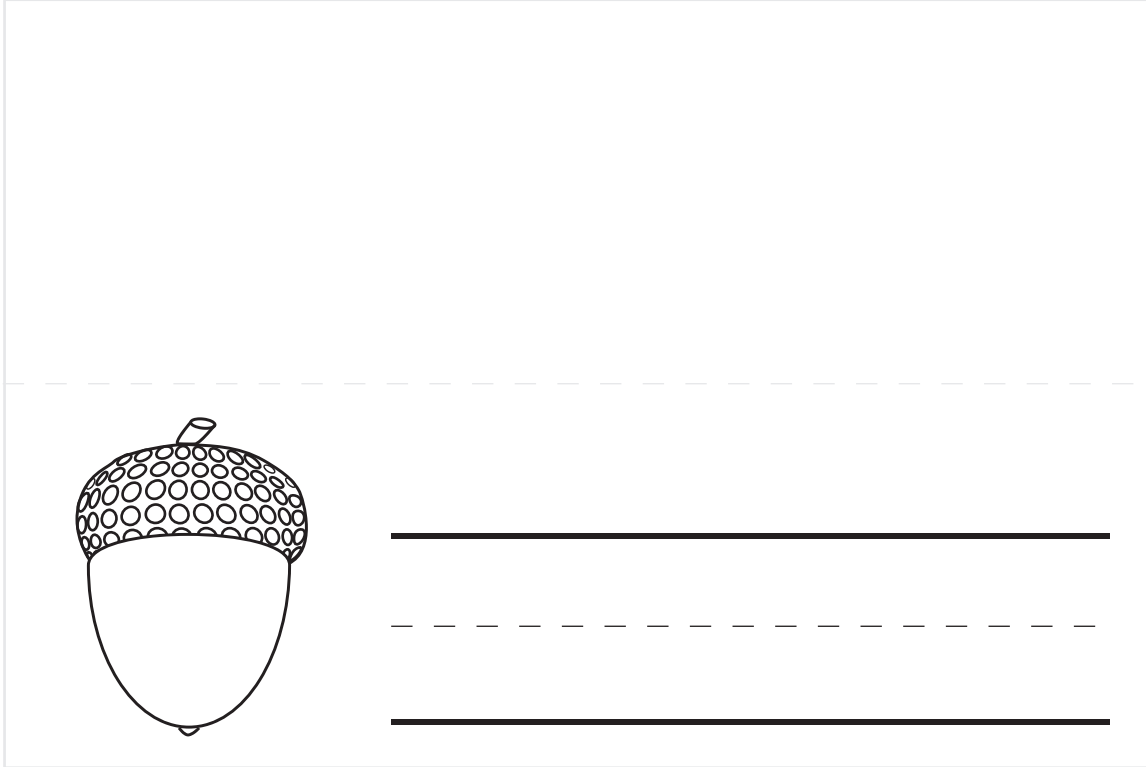


WWW.PAGINGSUPERMOM.COM

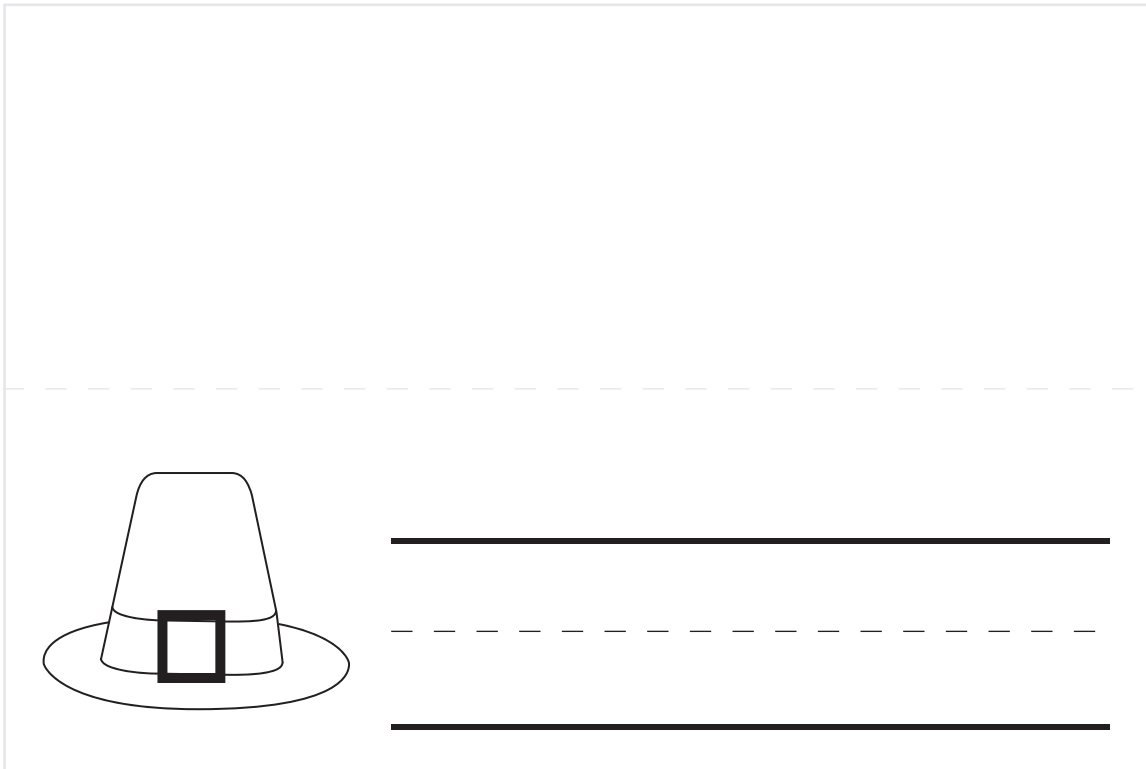
© Copyright 2010, free for non-commercial use
All other rights reserved

Color Me Thankful Placecards

INSTRUCTIONS: Print and cut along the solid gray lines. Fold on the dotted line to create a placecard tent.



This block contains a large rectangular frame. At the top, there is a horizontal dotted line. Below this line, on the left side, is a line drawing of an acorn with a textured, dotted cap and a smooth, pointed nut. To the right of the acorn is a writing area consisting of three horizontal lines: a solid top line, a dashed middle line, and a solid bottom line.



This block contains a large rectangular frame. At the top, there is a horizontal dotted line. Below this line, on the left side, is a line drawing of a Pilgrim hat with a wide brim and a square buckle on the front. To the right of the hat is a writing area consisting of three horizontal lines: a solid top line, a dashed middle line, and a solid bottom line.

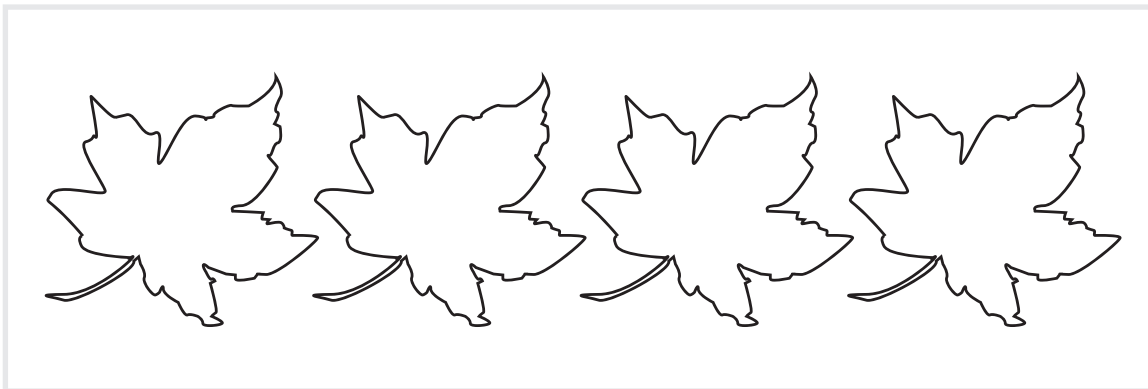
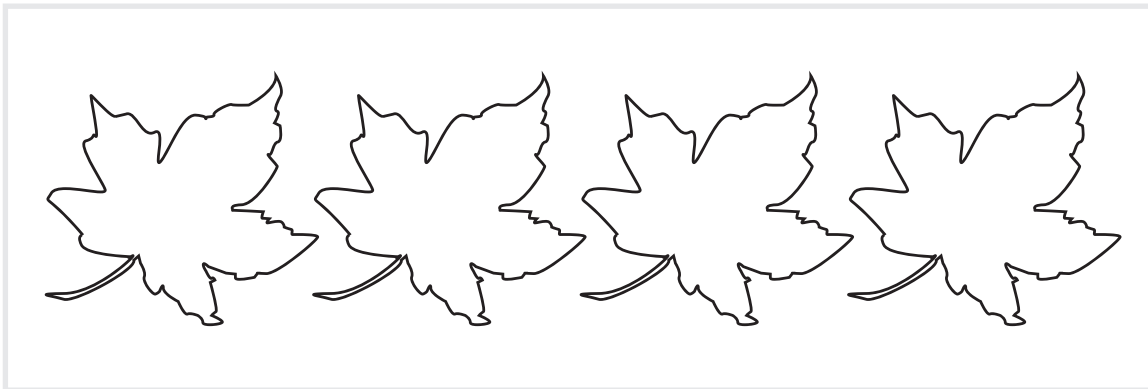
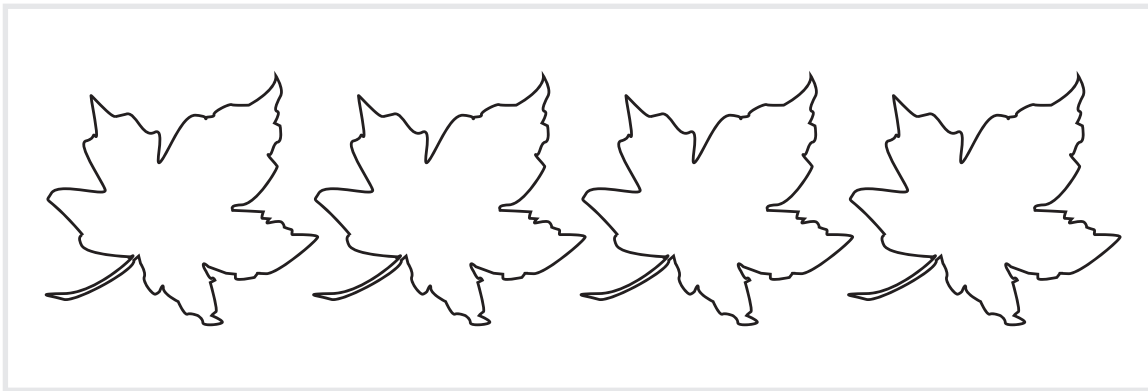
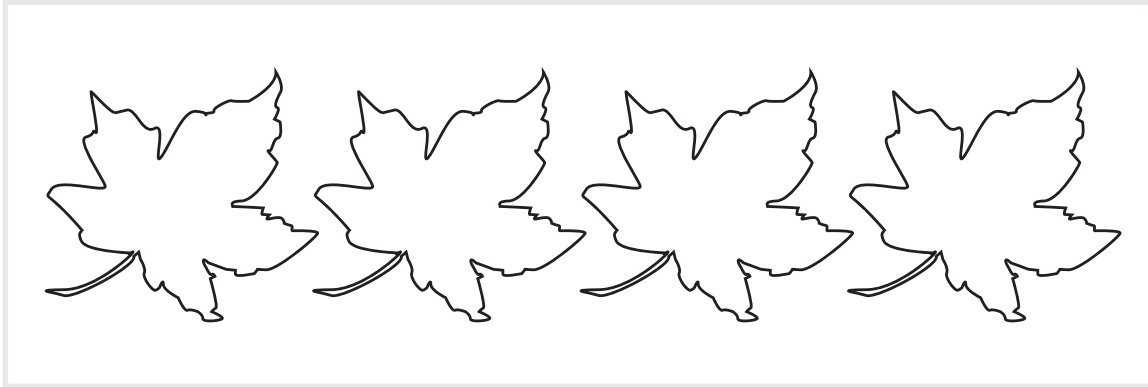


WWW.PAGINGSUPERMOM.COM

© Copyright 2010, free for non-commercial use
All other rights reserved

Color Me Thankful Napkin Rings

INSTRUCTIONS: Print and cut along the solid gray lines. Color leaves. Wrap around a rolled napkin; secure with tape, glue dots or string.



WWW.PAGINGSUPERMOM.COM

© Copyright 2010, free for non-commercial use
All other rights reserved

Color Me Thankful Stickers & Toppers

INSTRUCTIONS: For stickers (to dress up cups, etc) print out on a full-sheet label, or for cupcake toppers print on cardstock. Have your little ones color then cut out with a square, round or scalloped paper punch.

